

SFLJ LED

Floodlights for LED lamps



Installation

hazardous areas - Zone 2 (Gases) - Zone 22 (Dusts)

Classification

Group II - Category 3G 3D

Mechanical characteristics

Body	marine grade copper free aluminium
Diffuser	tempered front glass 4mm
Support	adjustable type 2mm thick shaped steel
Painting	external thermosetting polyester powder RAL-7039 colour
Screws	external stainless steel
Gaskets	silicon rubber

Electrical characteristics

Power Supply	220÷240Vac electronic driver 50/60 Hz - input surge protection and over temperature protection
Lamp type	Samsung COB D-Gen3 - CRI>80 CCT 4000K Lifetime: 58.000 hours L80 B10 @ta 25, 50.000 hours L70 B50 @tamax
Internal Wiring	high-temperature resistant silicon rubber insulation cables
Terminals	suitable up to 4 sq/mm cables
Optic	SM = without lens, maximum efficiency

On Request Accessories

- External painting colour on request
- Frosted diffuser glass
- CCT 3000/5700/6500 K
- DALI dimmable driver
- GORE® protective vents system

Reference standards

Directive 2014/34/EU	
Execution	<ul style="list-style-type: none"> Ⓔ II 3 G Ex ec IICT3 Gc Ⓔ II 3 D Ex tc IIIB T120 °C Dc
Rules of compliance	EN/IEC 60079-0; EN/IEC 60079-7; EN/IEC 60079-31
EC Type-Examination Certificate	INERIS 19 ATEX 3010X
Protection degree	IP66 (in accordance to IEC 60529)
Ambient temperature	-40 °C ÷ +60 °C
Other available certificates	IECEX: IECEX INE 19.0034X EAC: TC RU C-IT.ГБ08.B.01343 ECASEx: in progress



Technical data

Code	Power lamp	Wiring	Temperature class (gas)	Temperature class (dusts)	Output typical (lm)	Output NET (lm)	Cable entry size	Detail
Floodlights for led lamp - power supply 220 ÷ 2 40v 50/60 hz								
SFLJ-1300B	17,5 W				3040	2705		
SFLJ-1380B	24,5 W	1 LED	T3 (Ta +60° C)	T120° C	4000	3560	1 X ISO-M16	A
SFLJ-1440B	32 W				5000	4450		

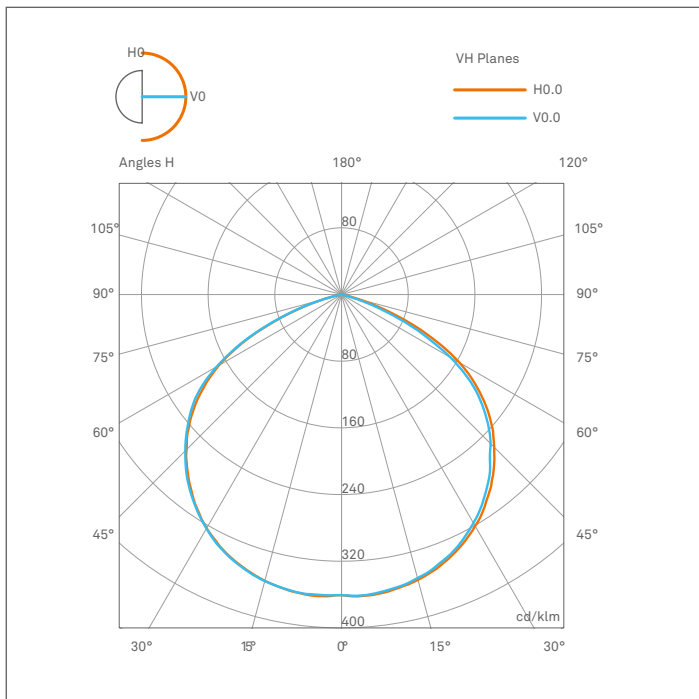
Optic beam: 0B=SM - without lens

Technical features

Code	A [mm]	B [mm]	C [mm]	D [mm]	E [mm]	F [mm]	Weight [kg]	Cable entry	Detail
SFLJ-1300B	187	256	51	297	139	196	2,79	1 x ISO-M16	A
SFLJ-1380B	187	256	51	297	139	196	2,81	1 x ISO-M16	A
SFLJ-1440B	187	256	51	297	139	196	2,83	1 x ISO-M16	A

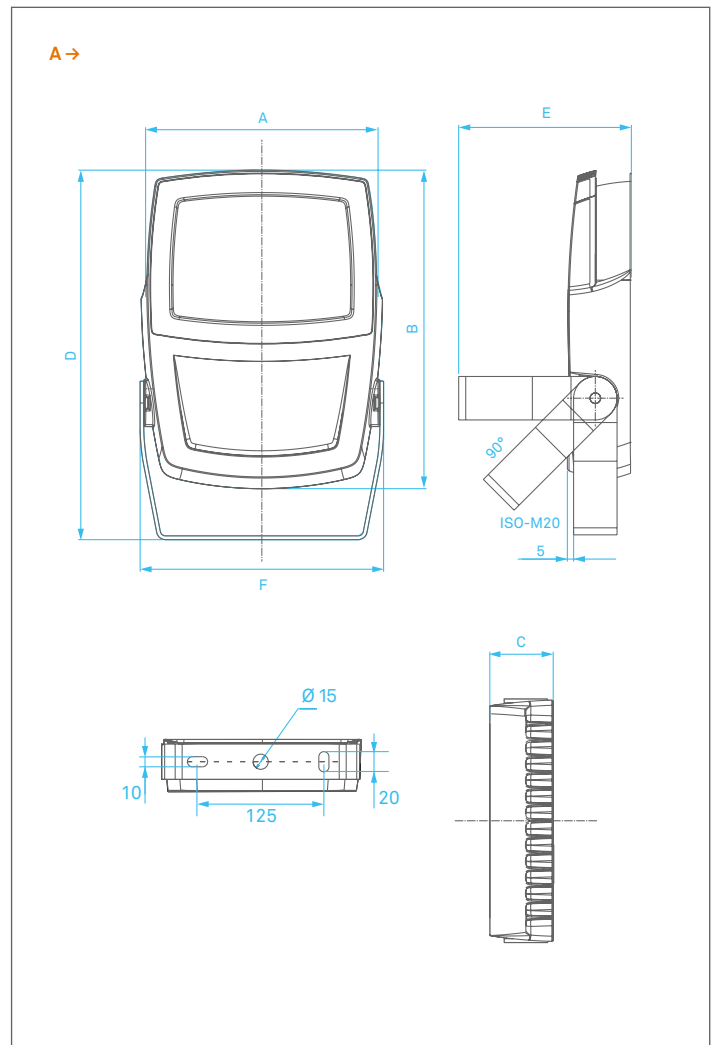
SFLA LED Polar diagrams - photometric data

SFLJ-1380B



Luminaire Flux	3558.39 lm
Luminaire Power	24.00 W
Efficacy	148.27 l lm//W
Lamps Flux	3560.00 lm
Maximum value	362.85 cd/klm
Position	H=0.00 V=-5.00
Efficiency	95,95%
VH Asymmetric	VH

Reference details



REMARK:

Due to the development of the national and international specifications and of the technology, the above technical characteristics showed on this bulletin can be considered as binding on our confirmation only.